

# T-system T24

T-system for acoustic ceiling panels/absorbers

Datasheet

## Description

T-24 system ceiling (24 mm width).

The system is produced in metal and the visible part of the system has a lacquered surface.

The system is assembled using a well-functioning click system. Thus, the system can be dismantled and reused.

The system is mounted to the roof partition using suspension pendants/hooks and to the wall with wall lists and screws.

## Material

Galvanized steel plate, quality DX51D+Z.

## Color

T-system has standard white and black. The closest white color code is RAL 9003, the closest black color code is RAL 9017.

## Installation

Suspension system between system rails and roof dividers and securing screws where system rails meet wall skirting. Please refer to the assembly information on [akustikksenter.no](http://akustikksenter.no)

## Fire class

T-system: metal doesn't burn.

Class A1

## Load bearing capacity

According to ASTM C635-00: 11,10 kg/M<sup>2</sup>

## Dimension and Packing

1. Main runner: 24x38x3000 mm, thickness 0.3 mm, 25 pcs per carton.
2. Cross tee: 24x38x600 mm, thickness 0.3 mm, 75 pcs per carton.
3. Cross tee: 24x38x1200 mm, thickness 0.3 mm, 50 pcs per carton.
4. Wall list standard: 24x24x3000 mm, thickness 0.5 mm (white), thickness 0.4 mm (black), 40 pcs per carton.

## Corrosion protection

According to EN 10169, Class CPI2.

## Tensile strength

According to ASTM E 580/E580M-11b, Seismic design Category C.

## Waste management

Can be handled like normal metal waste when it is thrown/delivered to a landfill.

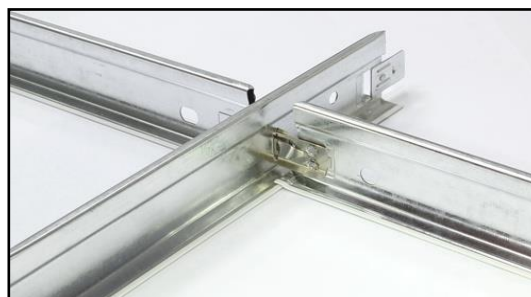
## Transport information

The product is not classified as dangerous property.

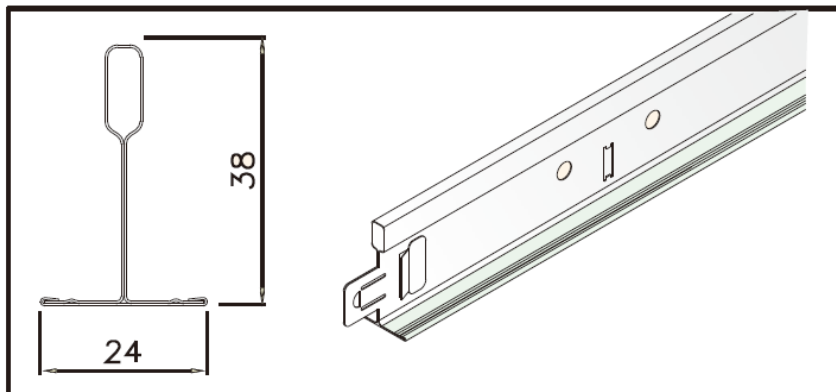
**Issuer of CE certificate for the product**

Intertek Testing Services Shenzhen Ltd. Shanghai Fengxian Branch  
Plant 5, No. 6958 Daye Road, Fengxian District, Shanghai, China

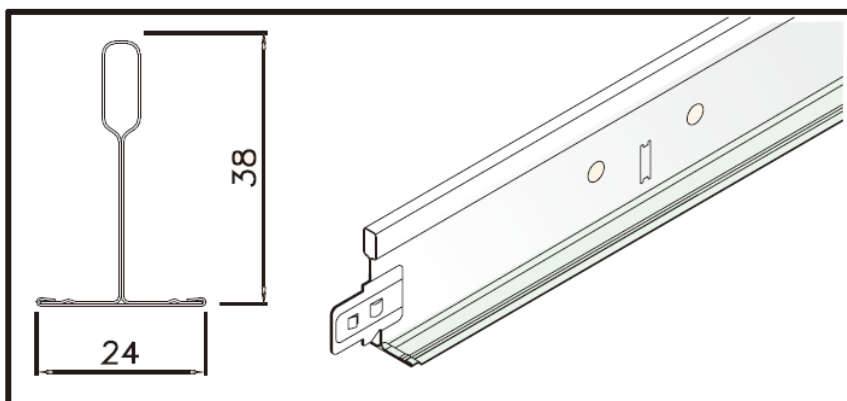
Certificate No:210311007SHF-VOC001 and 201116006-SHF-VOC001-R1  
According to CE regulation: EN 13964:2014 and EN 14195:2005/AC:2006



## Main runner



## Cross tee



## Wall list Standard

